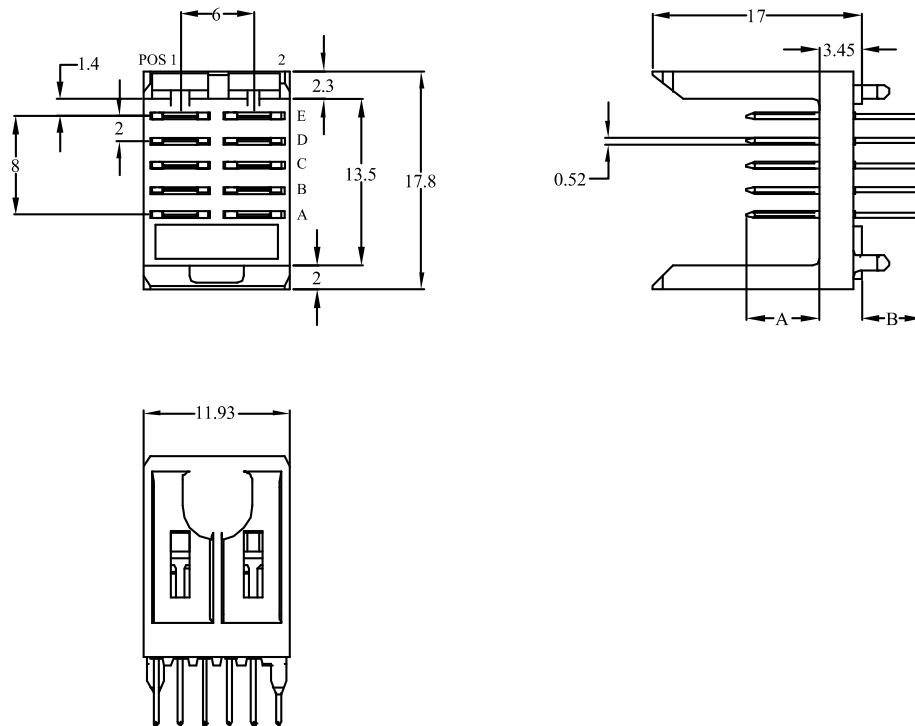


# Header, 5 row, power, straight, solder to board, wide body

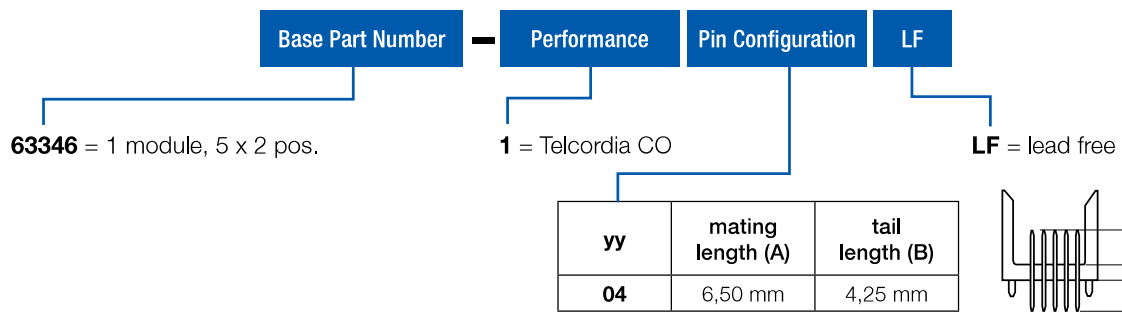
## PRODUCT



PCB pattern P16, see chapter PCB layouts

## PARTNUMBERS

63346 - 104LF



**Note:** for other special patterns or loadings, please check drawings, all other configurations on request only